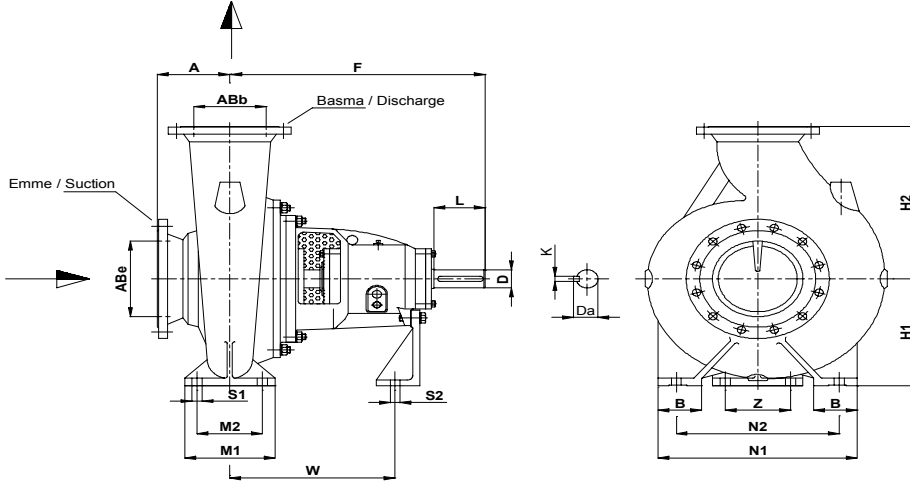


NORM SERİSİ POMPALAR BOYUT TABLOSU / NORM SERIES PUMP DIMENSIONS TABLE



MODEL		ABb	ABe	A	F	H1	H2	B	M1	M2	N1	N2	S1	S2	D	Da	K	L	W	Z	Mechanical Seal Ölçü/ Diameter	Ağırlık/ Weight -Kg	x				
EN 733 (DIN 24255) MODELLERİ / MODELS	DiĞER MODELLER/ EXTENDED RANGE																										
-	HD-Norm 32/200	32	50	80	385	160	180	50	100	70	240	190	M12	M12							285	80	20	37	100		
-	SN-Norm 32/250					180	225	65	125	95	320	250	M10	M10							260			55			
SN-Norm 40/200	-			100	360	160	180	50	100	70	265	212									250			50			
SN-Norm 40/250	-	40	65			180	225	65	125	95	320	250	M12										56				
-	HD-Norm 40/315			125	500	200	250				345	280			32	35	10	80	370	100	30	70	140				
-	HD-Norm 50/200		80	80	385	275	355	80	160	120	435	335	M16								285	80	20	42	100		
Norm 50/250	-		65	100	360	180	225			95	320	250		M12						250	90		57				
-	HD-Norm 50/315			125	470	225	280	65	125		345	280	M12		32	35	10	80	310	100	30	92	140				
Norm 65/200	-		80		360	180	225			85	320	250			24	27	8	50	520	90	20	54	100				
Norm 65/250	-			100		200	250				360	280		M16						90			76	140			
-	HD-Norm 65/250			100	470	200					400	315			32	35	10	80	310		30	110	100				
Norm 65/315	-		80			225	280	80	160	120										100			103				
-	HD-Norm 65/315				530						435	335		M18	M20	42	45	12	110		40	141	140				
-	HD-Norm 65/400				535	275	355														375	150	40	95			
SN-Norm 80/160	-		100		360	180	225	65	125	95	320	250		M12		24	27	8	50	250	90	20	64	100			
Norm 80/200	-			125	470	200	280				345	280											74				
Norm 80/250	-				200	280					400	315			M12						310			98			
-	HD-Norm 80/250		80	125	500	225										32	35	10	80		30	129	140				
Norm 80/315	-			100	470	250	315				400	315									310			110			
-	HD-N 80/315			125	530						435	355			42	45	12	110			40	147	140				
-	SN-Norm 80/400		100		280	355					400	315		M16							370	100		154			
-	Norm 80/315x2			228	250	315	80	160	120		400	315		M16							310			148	250		
Norm 100/200	-					200	280				360	280											95				
SN-Norm 100/200	-			125	470									M12	32	35	10	80			340	30		116			
Norm 100/250	-					225					400	315									310			104			
SN-Norm 100/250	-			140		200	280														310			129			
Norm 100/315	-				250	315					400	315									310			127			
Norm 100/400	-				530	280	355														345	150	40	176			
-	Norm 100/400x2			268	534						400	315		M20	M20	42	45	12	110		350			260	280		
Norm 125/250	-				470	250		80	160	120	400	315		M16	M12	32	35	10	80	310	100	30	110				
-	SN-Norm 125/250						355								42	45	12	110			350	150	40	151			
Norm 125/315	-		150	140	530	280																	179				
-	HD-Norm 125/315														42	45	12		345		40	195	170				
Norm 125/400	-										500	400											205				
-	HD-Norm 125/400			200	160	584	315	400													375			270			
-	Norm 125/400x2			150	280	579		100	200	150				M20		52	56	16	110		150	50	318	300			
-	Norm 150/250						355																182	250			
Norm 150/315	-				530	280																	203				
Norm 150/400	-		150	200	584	315	400				550	450									375			275			
-	HD-N 150/400				590		450								52	56	16				380	50		282			
-	Norm 150/500				180	704	380	530	130		560				M20								230				
-	Norm 200/315									250	180					60	64	18	140	465	190	60	420				
-	Norm 200/400			200	584	315	450	110								52	56	16	110	375	150	50	290				
-	Norm 200/500				704	355	505	120								60	64	18		465			60	410			
-	Norm 250/315				210	785	400	500	160	300	240					70	74,5	20					70	512			
-	Norm 250/400				197	701	400	430	110							60	64	18		452			50	410	250		
-	Norm 250/450			250	300		400	500	150	280	200	650	500											495			
-	Norm 250/500				240	785	425	545	160	300	240	720	600						140	541	190		545				
-	Norm 300/315																						567				
-	Norm 300/400			300	150	820	400	535		280		650	500			70	74,5	20				70	510	280			
-	Norm 300/450				280	805	500			200													561				
-	Norm 300/500			300	300	785	450	600	150	300	244	800	660										750				
-																							760	250			

FLANŞLAR : DIN 2501 VE TS ISO 7005-2

FLANGES CONFORMING TO DIN 2501 and TS ISO 7005-2

(X) Spacer kaplin ara ölçüsü

(X) Spacer length

* Türbosan'ın haber vermesizin ölçüleri deđiřtirme hakkı saklıdır.
* Türbosan reserves the right to make any changes in dimensions without giving prior notice.